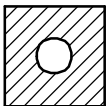
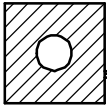
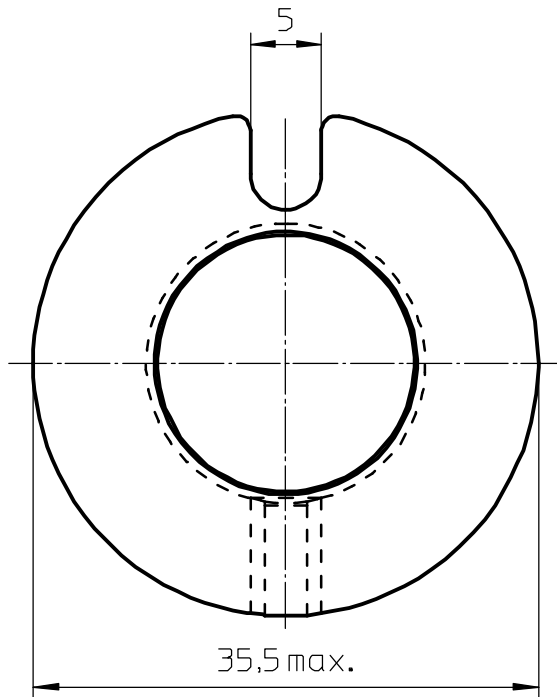
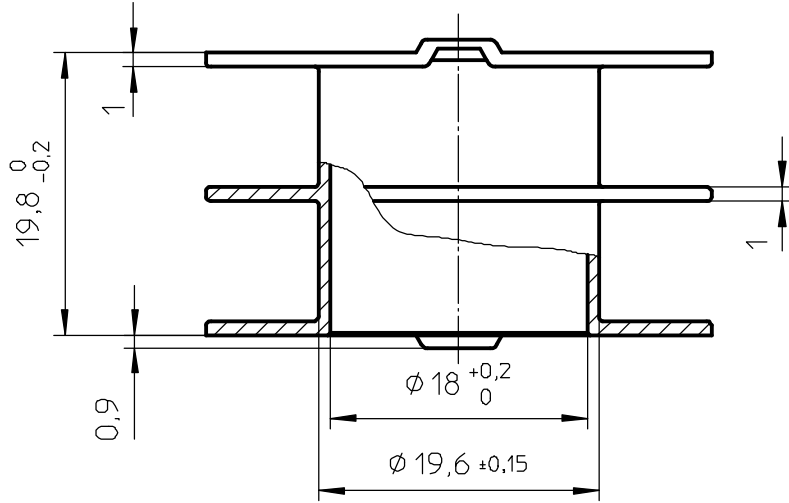


FERROXCUBE



1 2 3 4



Coil former material: Zytel FR50 (PA6.6).
UL file number: E41938 - UL94V-0.
Max. operating temp.: 130°C.
Winding area: 126 mm².
Mean length of turn: 86 mm.

CLASS NO.						03-04-29
						03-07-09
						04-03-12
NAME NAAM	M.Veekens	SUPERS. VERV.	1	SH BL	112 - 001	010
MPA	CHECK CONTR.	DAT.	03-04-29	Property of Eigendom van	© FERROXCUBE 2000	

A4